

RPE4

4-20mA ABSOLUTE ROTARY ENCODER

Features

A rotary position encoder with absolute 4-20mA current loop output, based on contactless magnetic sensors.

Robustly built with two ball bearings. Suitable for speeds up to 7500rpm, with 12 bit accuracy.

- Absolute analog current output 4-20mA
- Wide supply voltage of 12-30VDC
- 8mm, 6.35mm and 6mm diameter shaft
- Also available in absolute voltage output - RPE1 and incremental quadrature and absolute PWM output - RPE2
- Replaces RPE3 encoder



Typical applications:

- | | | |
|--------------------------------|------------------------------|--------------------------------|
| • Long run cabling | • Robotics encoder | • Motor speed sensor |
| • Materials handling | • Lever angle sensor | • Front panel switch |
| • Mining | • Control position indicator | • Handwheel / Jogwheel encoder |
| • Industrial actuator position | • Valve angle sensor | • Gearbox speed sensor |
| • Door position sensing | • Rotary position sensing | • CNC tool position indicator |

Technical Data

Electrical

Supply Voltage (VDD)	12VDC to 30VDC
Supply Current	41mA @ 30VDC supply
Resolution	12 bit
Output	12 bit absolute analog current 4-20mA for 0-360° linearly increasing for clockwise rotation, decreasing for counter-clockwise rotation.
RoHS status	Compliant
Sampling rate	10.4k samples per second (ksps)

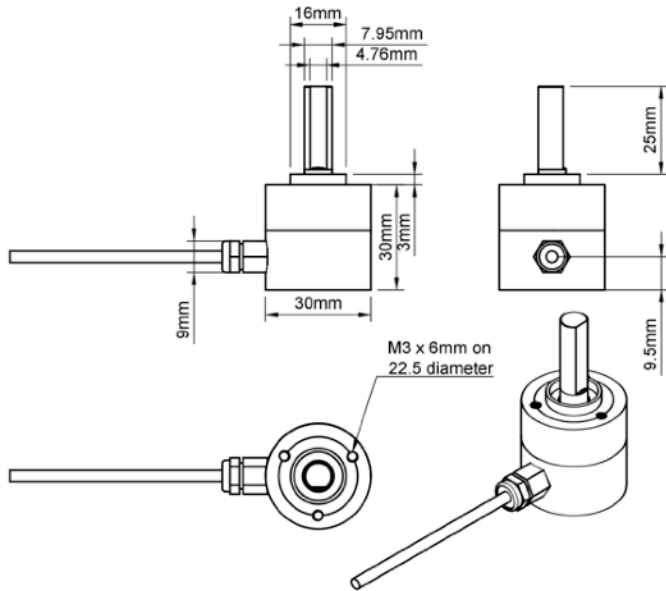
Mechanical

Operating speed	360° continuous rotation. Maximum speed 3000rpm with v-ring seal, 7500rpm without seal.
Shaft support	Dual 8mm ID ball bearings.
Construction material main body and shaft	Anodized Aluminium.
Ingress Protection	IP50 if v-ring seal is in place.
Mount	16mm flange with 3 x M3 holes 4mm thread on 22.5mm PCD. (screws supplied)
Weight	62g
Termination	<ul style="list-style-type: none"> • Colour coded multicore cable 3 x 22AWG, flying leads. ext.dia 3.5mm, 580mm minimum length. • Custom termination available for quantity

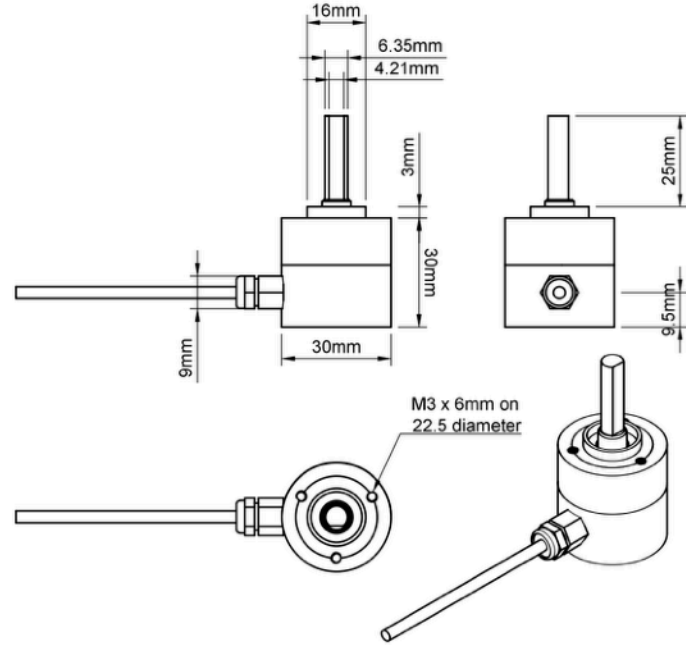
RPE4 ROTARY ENCODER

Nominal External Dimensions

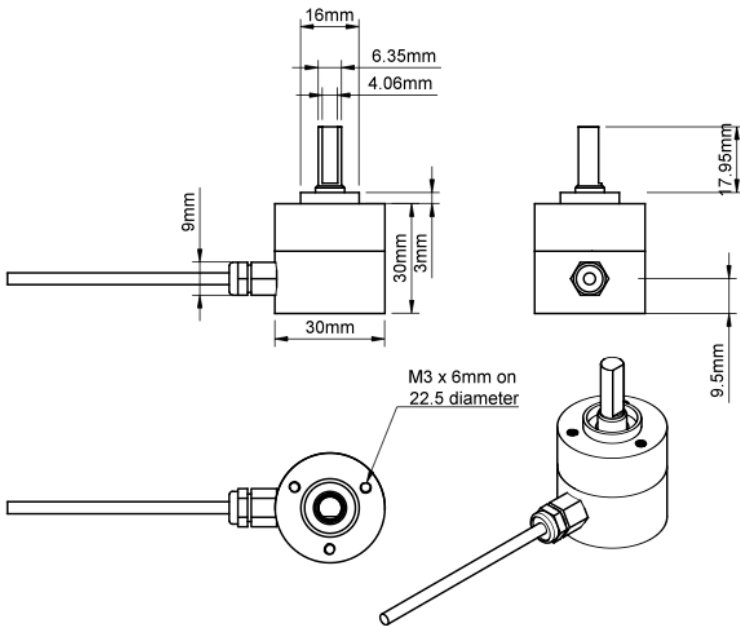
RPE4-8 Dimensions



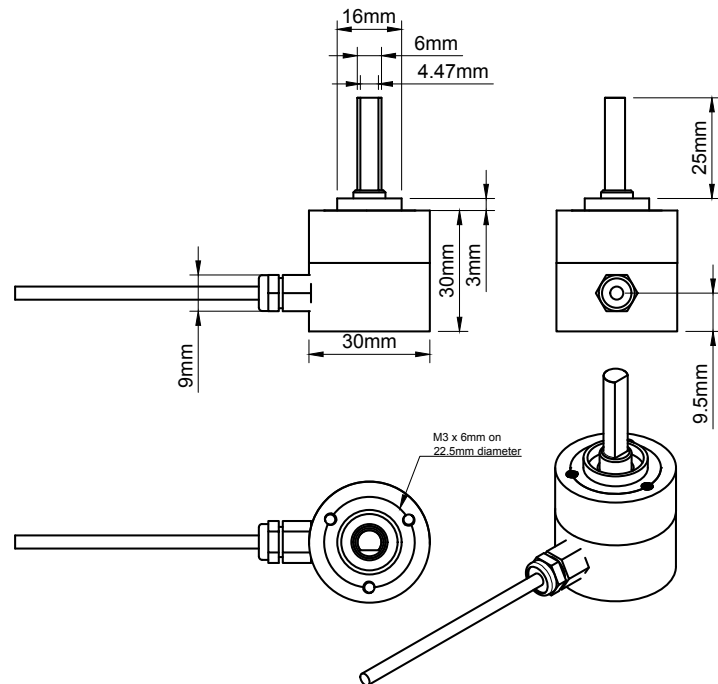
RPE4-635 Dimensions



RPE4-635-S Dimensions



RPE4-6 Dimensions



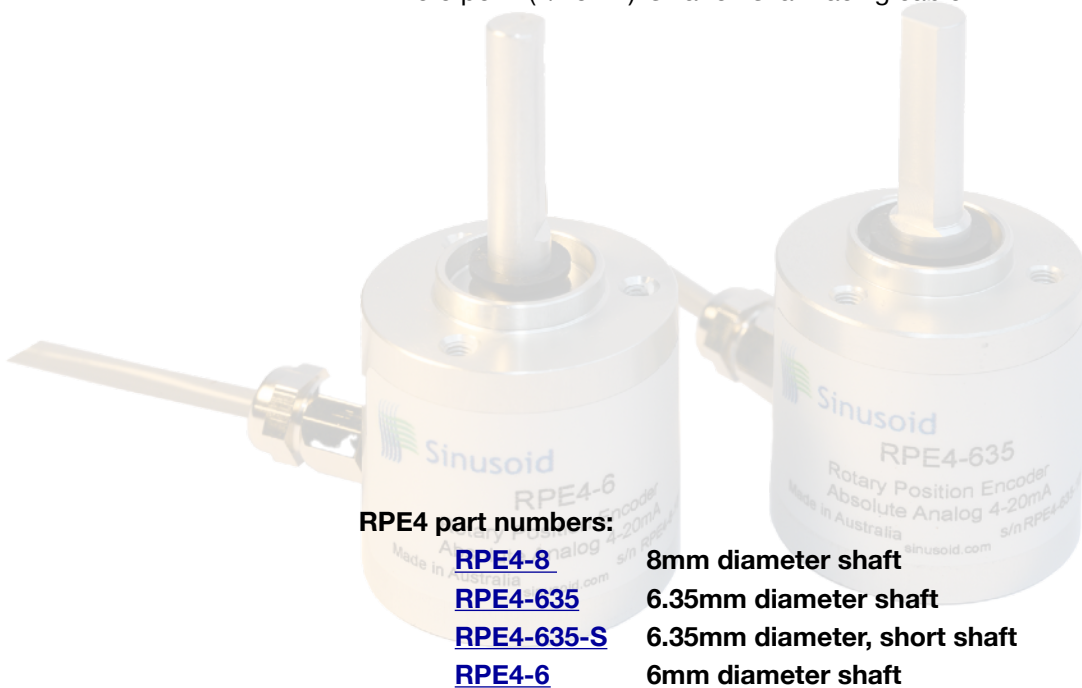
zero point (4/20mA) is flat on shaft facing cable

RPE4 4-20mA ROTARY ENCODER

Wiring connections

WIRE	SYMBOL	DESCRIPTION
Red	VDD	12-30V DC
Black	VSS	Ground
White	Output	Current output 4-20mA

zero point (4/20mA) is flat on shaft facing cable



Encoders can be purchased directly from store.sinusoid.com

For further enquiries, quantity or custom purchases [please contact us](#)